



L&T Construction & Mining Machinery

L&T 1190

SOIL COMPACTOR

Operating Weight: **11,300 kg**
Frequency: **34/31Hz**
Gross Power: **101 hp@2200 rpm**
Engine: **Ashok Leyland ALHT4CTIC3-BS III**





Higher weight on front drum module for improved compaction

High applied forces for best-in-class compaction

Drum drive option available for improved traction



Dual frequency selection for easy operation

High drum shell thickness for longer drum life

**Isolated operator platform
for enhanced operator comfort**

**Unique Eccentric shaft designed for
generating high forces**

**Rotatable operating
seat for better visibility**

**Powerful Ashok Leyland
four cylinder water
cooled engine**

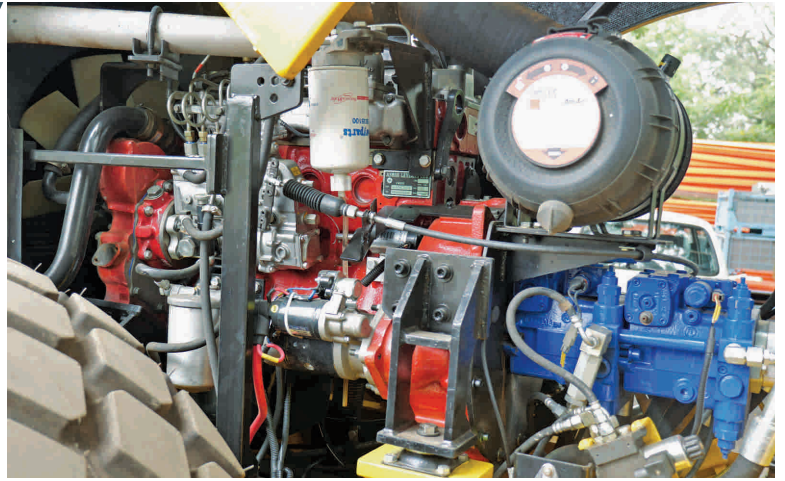


**No slip differential axle
for better traction**

**Exhaust at ground level to prevent
exhaust gases from
blowing onto operator**

ENGINE

- ▶ Ashok Leyland 4 cylinder 4 Stroke Inline Turbocharged Inter cooled H series BSIII engine- water cooled
- ▶ Inline fuel injection pump
- ▶ Mud filter, Fuel filter and Water separator for better filtration
- ▶ Turbo pre-cleaner is a standard fitment



HEAVY DUTY STRUCTURES

- ▶ Heavy duty drum with high shell thickness
- ▶ Heavy Duty Frame Structures
- ▶ Unique Eccentric shaft designed for generating high forces
- ▶ Sturdy articulation joint for better life



GRADEABILITY

- ▶ Best-in-class gradeability of 40%
- ▶ Capable of working in hilly terrains and steep slopes
- ▶ Machine capable of working in tight radius



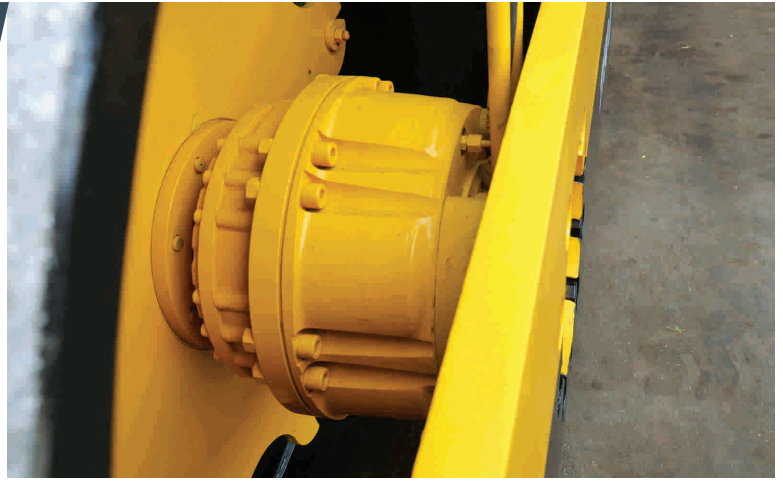
PRODUCTIVITY

Soil Compaction	Sand & Gravel	Mixed Soil	Clay
Compacted Lift thickness in mm	500	400	200
Productivity in Cum/hour	350-600	300-500	170-290

Site conditions will affect actual productivity

HIGH PERFORMANCE HYDRAULIC COMPONENTS

- ▶ Closed circuit hydraulic system with best-in-class heavy duty hydraulic components, enhancing productivity and reliability
- ▶ Hydraulic System designed for optimising productivity



SERVICE ACCESSIBILITY

- ▶ Openable rear hood
- ▶ Easy access to all components
- ▶ Ground level access for all refill points
- ▶ Turbo Pre cleaner easily accessible



OPERATOR CONSOLE

- ▶ Rotatable operator seat for ease of operation
- ▶ Excellent all round visibility
- ▶ Large size rear view mirror
- ▶ Height adjustable seat with arm rest
- ▶ All around Guard rails for operator safety



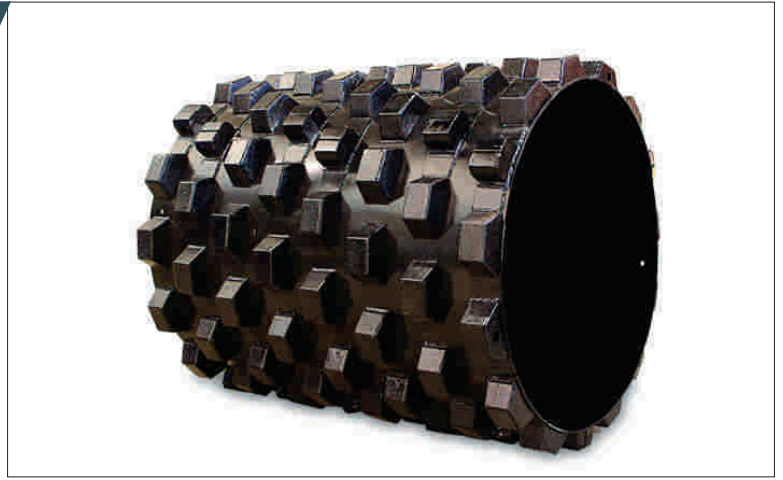
HIGH OPERATING WEIGHT

- ▶ Higher weight of front drum module gives improved compaction results
- ▶ High static linear load reduces the number of passes required for compaction
- ▶ High drum shell thickness of 32mm gives longer shell life



OPTIONAL CLAMP-ON-PADFOOT SHELL

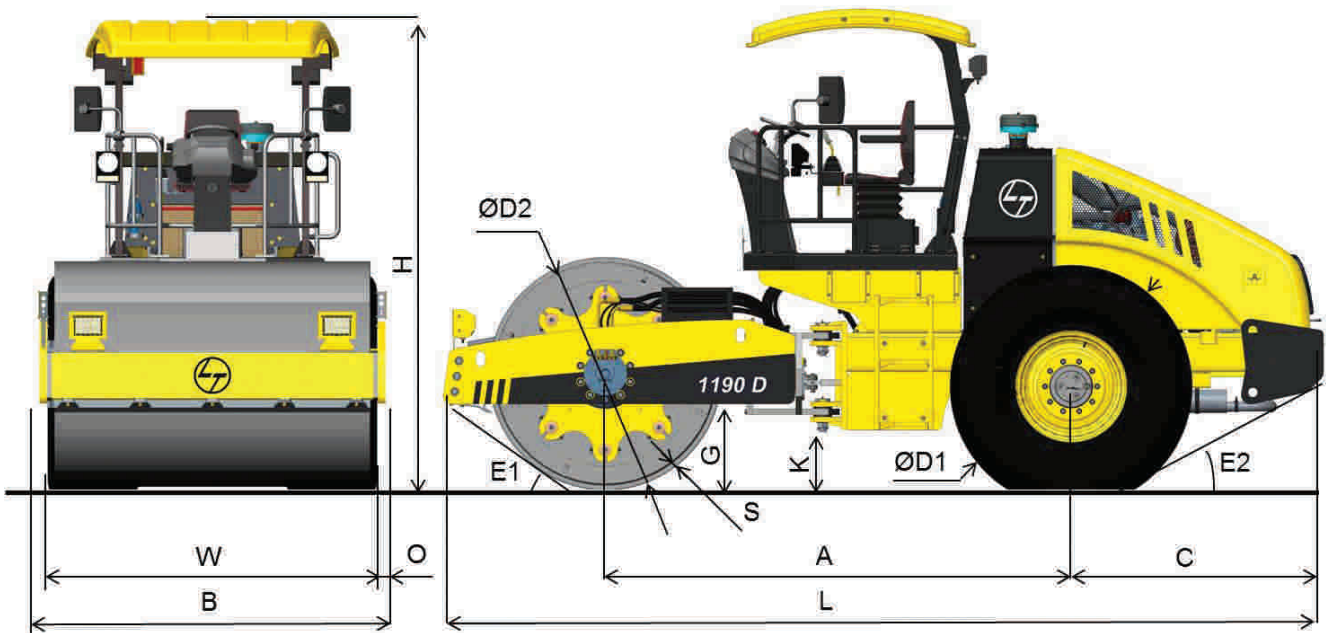
- ▶ Padfoot shell can be mounted on drum drive machine.
- ▶ Ideally suited for compacting soils with high clay content



DRUM DRIVE OPTION

- ▶ Drum drive option -L&T 1190 D has better gradeability
- ▶ Ideally suited for poor underfoot conditions

MACHINE DIMENSION



A	B	C	ØD1	ØD2	E1	E2	G	H	K	L	O	S	W
3000	2300	1625	1560	1500	36°	30°	555	3095	377	5670	100	32	2100

SPECIFICATIONS

ENGINE	
Make	Ashok Leyland
Model	ALHT4CTIC3-BS III
Type	4 Stroke Inline Turbocharged Intercooled
Cylinder (nos)	4
Bore/Stroke (mm)	104x113
Displacement	3.84L
Fuel Injection	Direct
Fuel	High Speed Diesel
Fuel filter Cum Water separator	Spin-on type
MudFilter	Cartridge Type
Aspiration	Turbocharged Intercooled
Air Filter	Dry Type with Dual Element
Engine oil filter	Cartridge Type
Cooling	Liquid
Engine Speeds (No loads)	Low 750 rpm High 2420 rpm
Horse power	101 hp@2200 rpm as per ISO 1585
Torque (Max)	390 Nm @ 1400-1600 rpm

PROPULSION	
Infinitely variable hydrostatic drive with variable displacement pump	
Drive pump	Mechanical
Engine to pump ratio	Direct Drive 1:1
Type	4
Variable displacement bi-directional axial piston pump with manual displacement control	

DRIVE MOTORS	
Type	
High speed low torque driving motor mounted on rear axle input shaft	
For Drum Drive(Optional)	
low speed high torque drive motor mounted on front drum frame along with rear axle	
Hydraulic oil filter	Cartridge
Machine speed	1190 D (Drum drive)
Working speed 1	4 KMPH
Working speed 2	7 KMPH
Travel speed	11 KMPH
Final drive	high torque , out-board planetary
Gradeability	
Standard machine	31%(17°)
Drum drive machine	40%(21°)

ELECTRICAL	
DC	12 V
Alternator	65A
Battery CCA	754 as per JIS (Max 900)

VIBRATION SYSTEM	
Type	
Variable displacement bi-directional axial piston pump with electrical displacement control	
Drive to vibration pump	Mechanical
Engine to pump ratio	Direct Drive 1:1
Displacement	46cc/rev
Charge pressure	25Bar
Vibration motor	Fixed displacement mounted on drum
Axle	
Heavy duty with integrated parking brake mechanism and board planetary	
Parking Brake	
Spring applied hydraulically released	

SERVICE CAPACITIES	
Fuel Tank	240 liters
Hydraulic Tank	70 liters
Engine Crank Case	9.5 liters
Engine Coolant	18 liters

OPERATING DATA	1190	1190 D	1190 PD
Operating weight (kgs)	11300	11350	11550
maximum weight (kgs)	12100	12150	12350
Front axle load(kgs)	6475	6525	6725
Rear Axle Load (kgs)	4825	4825	4825
Static Linear load Front (Kgs/cm)	30.8	31.0	32.0

VIBRATION SYSTEM	1190 D (Drum drive)	
	Low	High
Vibration Stage		
Frequency (hz)	31	34
Amplitude (mm)	1.8	0.9
Centrifugal Force (kgf)	26494	17323
Maximum Applied Force (kgf)	37794	28623

STEERING	
Steering Angle	±37°
Turning Radius(inner)	3.35 m
Drum Oscillation Angle	±15°
Tyre Size	23.1/26 12PR

SALIENT FEATURES
● Lowest turning radius which improves manoeuvrability
● Novel exciter design, consumes less power
● Additional speed control for gradient operation
● Enriched machine aesthetics
● Safety interlocks in brake and neutral system
● 90° RH side Rotatable operator seat
OPTIONAL
● Compaction meter, Vehicle health monitoring & tracking system

32, Shivaji Marg, P.O. Box 6223
New Delhi 110 015
 Tel : (011) 41419555/59
 Fax : (011) 41419595/41419600

Larsen & Toubro Limited
 Aspire Towers
 Plot No: 55, 4th Floor
 Industrial Area Phase - 1
Chandigarh 160 002
 Tel: 0172 - 4646810 /846

Monarch Building
 D-236 & 237, Amrapali Marg
 Vaishali Nagar, **Jaipur** 302021
 Tel : (0141)4385911

Shree Ram Plaza,2,3 & 4
 1st Floor,Siphon Chauraha
 Bedla Road-**Udaipur** 313 001
 Tel : (0294) 2451 337, 2451 305
 Fax : (0294) 2450 188

A-28 Indiranagar
 Faizabad Road, First Floor
Lucknow 226 016
 Tel : 0522- 2506472

3-B, Shakespeare Sarani,
 P.O.Box 619, **Kolkata** 700 071
 Tel : (033) 4400 2433/22831442
 Fax : (033) 2282 1025

Annapurna Complex
 Plot No. 559, Lewis Road
 Bhubaneshwar 751 014,
Orissa
 Tel : (0674) 2537 301, 2537 305/06
 Fax : (0674) 2537 309

P.O. Dhansar
Dhanbad 826 001
 Tel : (0326) 2291391/2291387

A1/11, Degaul Avenue
 Khoirasol, **Durgapur** 713 212
 Tel : (0343) 2559810 - 14,
 Fax : (0343) 2550693

Milanpur Road, Bamuni Maidan
Guwahati 781 021
 Tel : (0361) 2651 329, 2651 299
 Fax : (0361) 2551 308

Larsen & Toubro Ltd
 C/o: Golden Camp,
 Plot Number:568 & 573
 Hazirabagh Road , Kokar Area
Ranchi, Jharkhand-834 001
 0651-2540237/2540418

Akashdeep Plaza, 2nd Floor,
 P.O. Golmuri, **Jamshedpur** 831 003
 Tel : (0657) 2340 829, 2487 112
 Fax : (0657) 234 1250

L&T-House, P.O.Box 119
 191/1, Dhole Patil Road
Pune 411 001
 Tel : (020) 66033483/480
 Fax : (020) 26114007

501, Sakar Complex
 Opp. Gandhigram Rly. Stn.
Ahmedabad 380 009
 Tel : (079) 66304017/18,26582536
 Fax : (079) 2658 0491

North Block II, First Floor,
 Gate No.1, Powai Campus,
 Sakhi Vihar Road, Powai (W)
Mumbai 400 072
 Tel : (022) 67053285/67052470
 Fax : (022) 67051510

Radhadaya Complex
 Near Charodar Complex,
 Old Padra Road, **Vadodara** 390 015
 Tel : (0265) 2334 799
 Fax : (0265) 2336 184

12, Shivaji Marg
 North Ambazari Road,
Nagpur 440 010
 Tel : (0712) 6606441/2260025
 Fax : (0712) 2420618

131/1 Zone II
 Maharana Pratap Nagar,
Bhopal 462 011
 Tel : (0755) 4233913 / 914
 Fax : (0755) 2769264

Crystal Tower, IVth Floor
 G. E. Road , Telibandha
Raipur (CG) 492006
 Tel: 9752544407

II Floor, Vasantha Chambers
 5-10-173 Fateh Maidan Road
Hyderabad 500 004
 Tel : (040) 23230206/67015064
 Fax : (040) 2323 0686

L&T Construction Campus
 TC-1 Building, 2nd Floor,
 Mount Poonamallee Road,
 Manapakkam, **Chennai** 600 089
 Tel: (044) 2270 6800/ 6868
 Fax: (044) 2270 6930

Post Bag 7156
 67, Appuswamy Road
Coimbatore 641 045
 Tel : (0422) 2588135/2588105
 Fax : (0422) 2588148

40-5-6-1 First Floor, Tickle Road
 Near Sweet (Magic)
 Brindavan Colony
Vijayawada 520 010
 Tel : (0866) 2470856, 5527056,
 5567056, 2482436
 Fax: (0866) 2485274

38, Cubbon Road
Bengaluru 560 001
 Tel : (080) 25020139
 Fax : (080) 25585214/25596397

Skybright Building, M.G. Road,
 Ravipuram Junction, P.O.Box 1723,
 Ernakulam, **Kochi** 682 016
 Tel : (0484) 2358686
 Fax : (0484) 2358982



Marketed & Serviced by:

L&T Construction Equipment

Larsen & Toubro Limited

1st Floor Lakshminarayan Complex, 10/1 Palace Road, Bengaluru- 560 052
 Tel: (080) 22256982/83/84, 40401700 Fax: (080) 22250309
 E-mail: ceb@larsentoubro.com www.larsentoubro.com

Zonal Offices:

Delhi (011) 4141 9555/59

Nagpur (0712) 6606441/2260025

Kolkata (033) 44002433/22831442

Hyderabad (040) 23230206/67015064

Pune (020) 66033483/480

Bengaluru (080) 2502 0131/39

CIN: L99999MH1946PLC004768

Product improvement is a continuous process. Specifications given in this publication are therefore subject to change without notice.
 Photographs depicted may be of optional equipment.